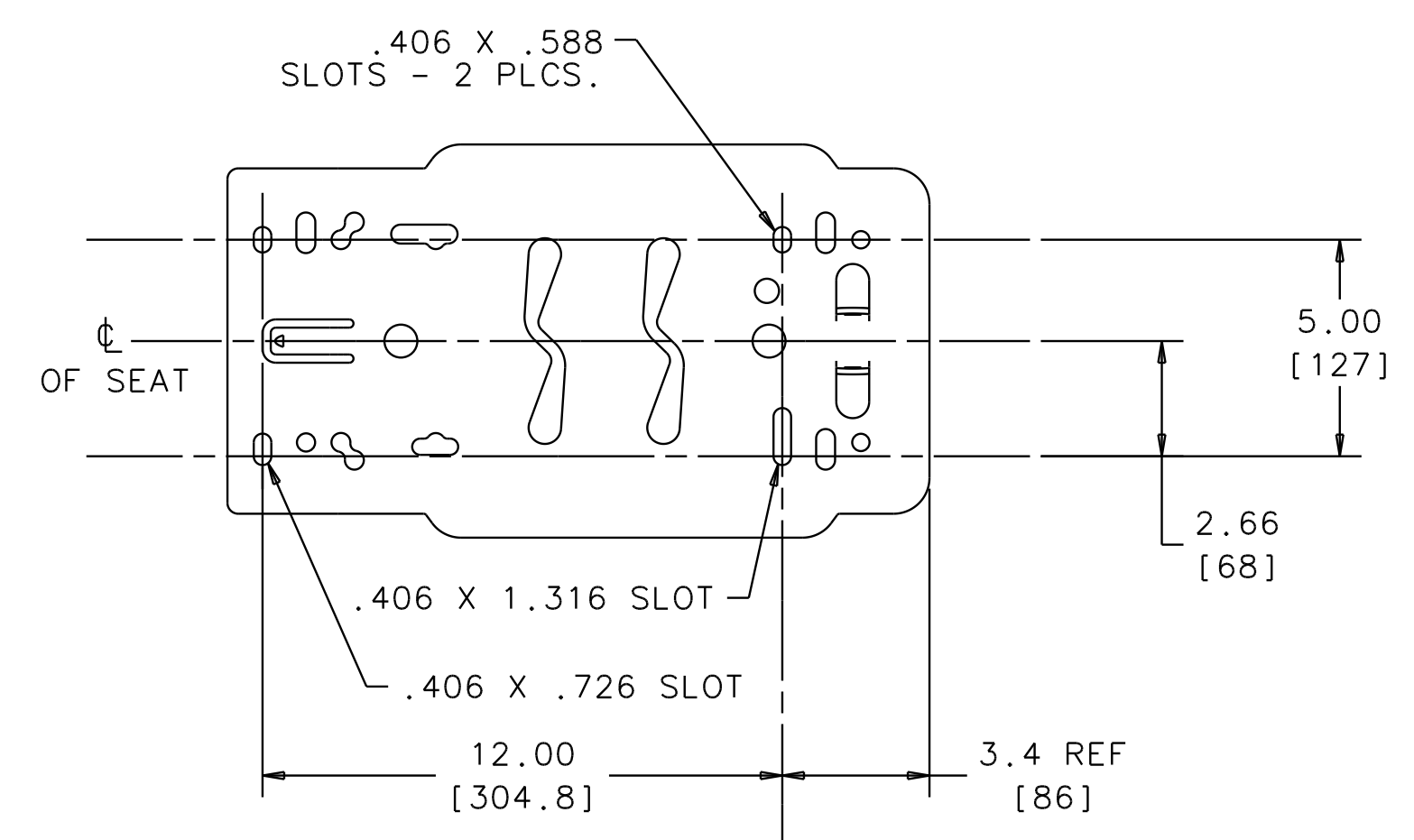


PART NUMBER	DESCRIPTION	"A"
50440.51	HIBAC PREMIUM GRAY/GRAY 2 TONE LTHR	---
50440.52	HIBAC PREMIUM RED/GRAY 2 TONE LTHR	---
50440.53	HIBAC PREMIUM BLUE/GRAY 2 TONE LTHR	---
50440.54	HIBAC PREMIUM BROWN/TAN 2 TONE LTHR	---
50440.55	HIBAC PREMIUM BLACK/GRAY 2 TONE LTHR	---
50440.56	HIBAC PREMIUM BLACK LEATHER	---
50440.61	HIBAC PREMIUM GRAY MORDURA 2 TONE	---
50440.62	HIBAC PREMIUM RED MORDURA 2 TONE	---
50440.63	HIBAC PREMIUM BLUE MORDURA 2 TONE	---
50440.64	HIBAC PREMIUM BROWN MORDURA 2 TONE	---
50440.65	HIBAC PREMIUM BLACK MORDURA 2 TONE	---
50440.351	HIBAC PREMIUM GRAY/GRAY 2 TONE LTHR W/ARMS	12.1
50440.352	HIBAC PREMIUM RED/GRAY 2 TONE LTHR W/ARMS	12.1
50440.353	HIBAC PREMIUM BLUE/GRAY 2 TONE LTHR W/ARMS	12.1
50440.354	HIBAC PREMIUM BROWN/TAN 2 TONE LTHR W/ARMS	12.1
50440.355	HIBAC PREMIUM BLACK/GRAY 2 TONE LTHR W/ARMS	12.1
50440.356	HIBAC PREMIUM BLACK LEATHER W/ARMS	12.1
50440.361	HIBAC PREMIUM GRAY MORDURA 2 TONE W/ARMS	12.1
50440.362	HIBAC PREMIUM RED MORDURA 2 TONE W/ARMS	12.1
50440.363	HIBAC PREMIUM BLUE MORDURA 2 TONE W/ARMS	12.1
50440.364	HIBAC PREMIUM BROWN MORDURA 2 TONE W/ARMS	12.1
50440.365	HIBAC PREMIUM BLACK MORDURA 2 TONE W/ARMS	12.1
50440.651	HIBAC PREMIUM GRAY/GRAY 2 TONE LTHR W/ARMS	12.8
50440.652	HIBAC PREMIUM RED/GRAY 2 TONE LTHR W/ARMS	12.8
50440.653	HIBAC PREMIUM BLUE/GRAY 2 TONE LTHR W/ARMS	12.8
50440.654	HIBAC PREMIUM BROWN/TAN 2 TONE LTHR W/ARMS	12.8
50440.655	HIBAC PREMIUM BLACK/GRAY 2 TONE LTHR W/ARMS	12.8
50440.656	HIBAC PREMIUM BLACK LEATHER W/ARMS	12.8
50440.661	HIBAC PREMIUM GRAY MORDURA 2 TONE W/ARMS	12.8
50440.662	HIBAC PREMIUM RED MORDURA 2 TONE W/ARMS	12.8
50440.663	HIBAC PREMIUM BLUE MORDURA 2 TONE W/ARMS	12.8
50440.664	HIBAC PREMIUM BROWN MORDURA 2 TONE W/ARMS	12.8
50440.665	HIBAC PREMIUM BLACK MORDURA 2 TONE W/ARMS	12.8

--XXB = SEAT WITH OPTIONAL BACK CYCLER



- NOTES:
- 1) H POINT MEASUREMENT IS TAKEN WITH BACK RECLINE FULL FORWARD, TRACK ADJUSTED TO REAR POSITION, AND SUSPENSION BASE IN LOWEST POSITION.
 - 2) ATTACH BELT BAR WITH (2) 5/16-18 X 5/8 BOLTS, N/S PART NO. 177095-03.
 - 3) SEAT EQUIPPED WITH TRIPLE CHAMBER AIR LUMBAR AND BOLSTERS AND SHROUD & BELLWS.

STATEMENT OF COMPLIANCE

THIS SEAT HAS BEEN TESTED TO THE APPLICABLE D.O.T. SPECIFICATIONS OF FEDERAL MOTOR VEHICLE SAFETY STANDARD 207 AND 210, AND WILL SURPASS THE LOAD REQUIREMENTS STATED THEREIN, PROVIDING THE SEAT IS MOUNTED WITH TETHER BELTS WITHIN PROPER LIMITS. COMPLIANCE BASED ON REGULATIONS IN EFFECT AT TIME OF MANUFACTURE.

THE MATERIAL IN THIS SEAT AS ORIGINALLY MANUFACTURED CONFORMS TO THE REQUIREMENTS OF F.M.V.S.S. 302.

NOTE: REF. DIMENSIONS PROVIDED FOR PRODUCT IDENTIFICATION PURPOSES. ALL REF. DIMENSIONS ARE TO DESIGN NOMINAL AND TO UNTRIMMED SEATS. CUSTOMER TRIM VARIATIONS WILL AFFECT DIMENSION POINTS ON FINISHED SEATS.

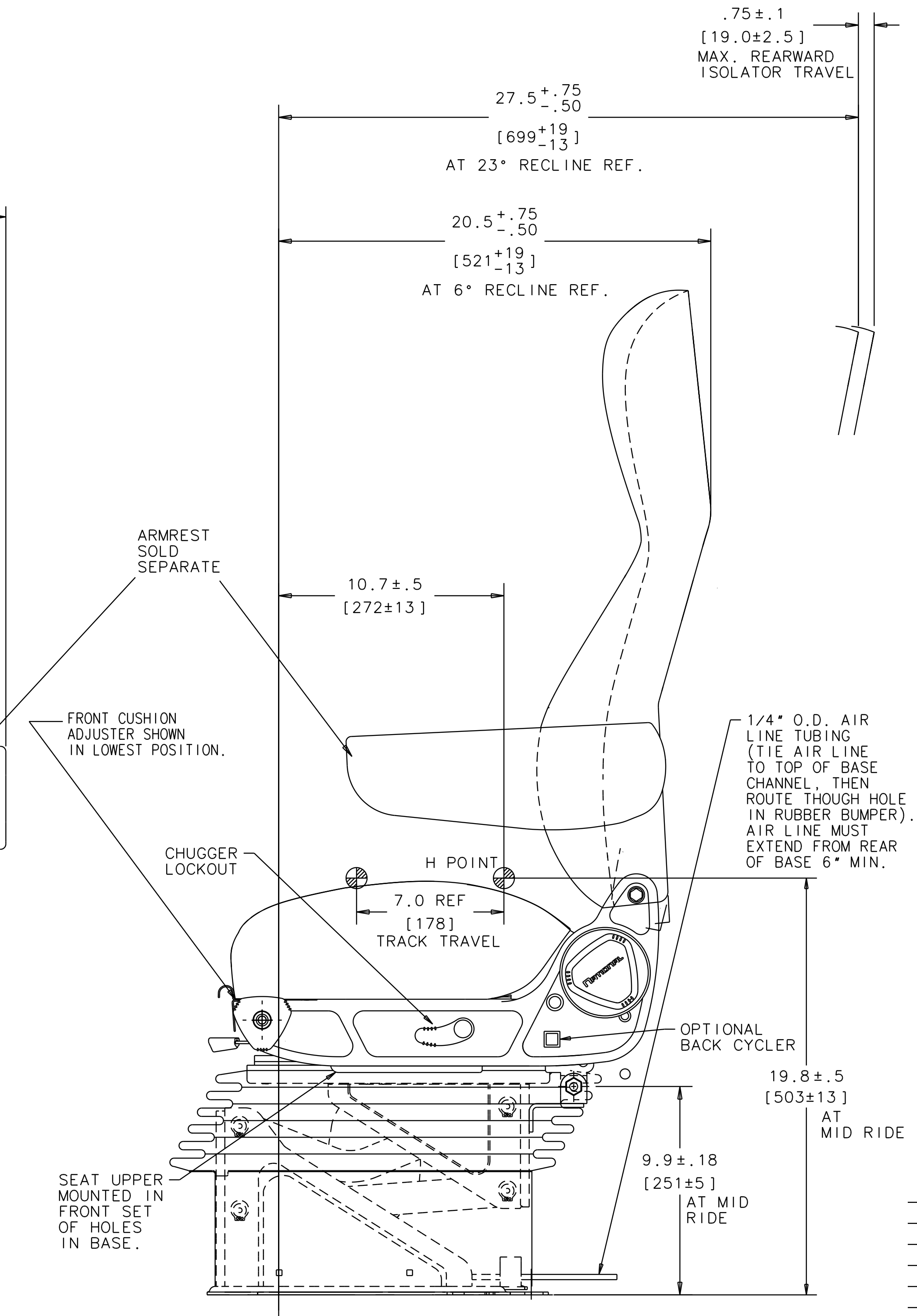
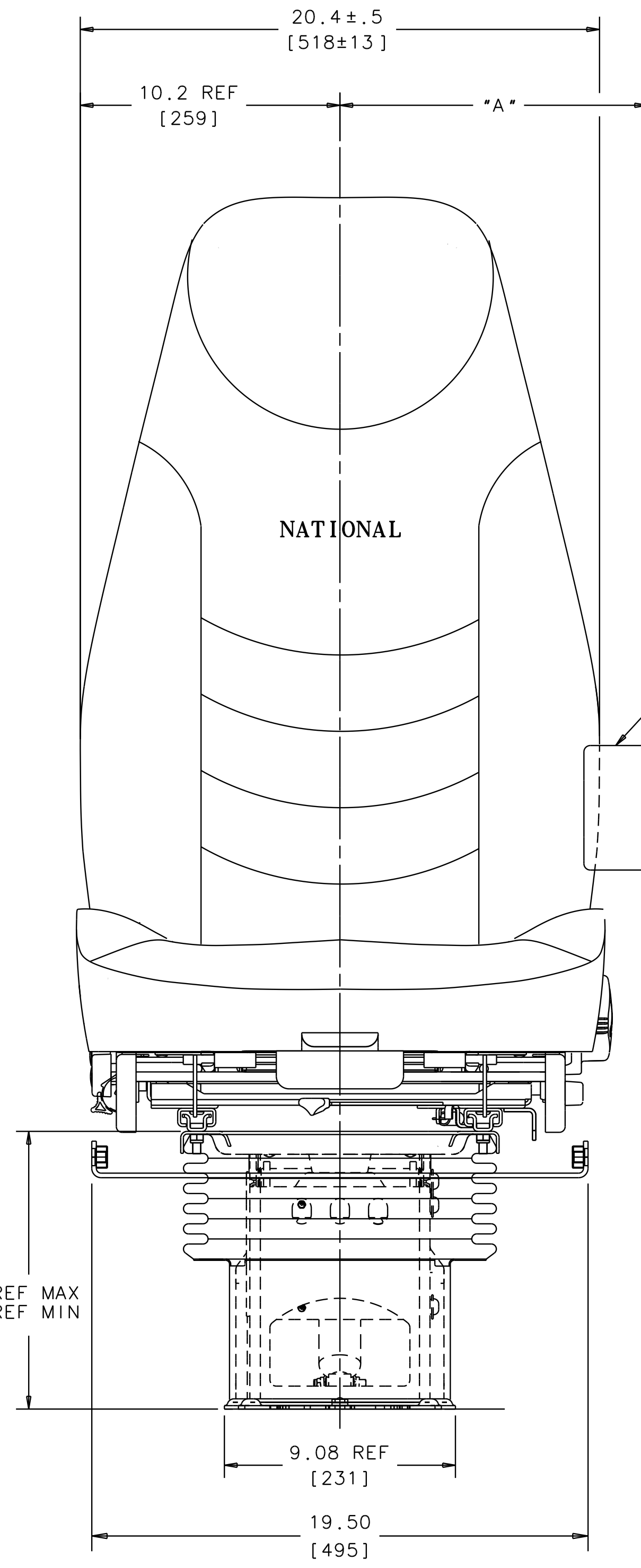
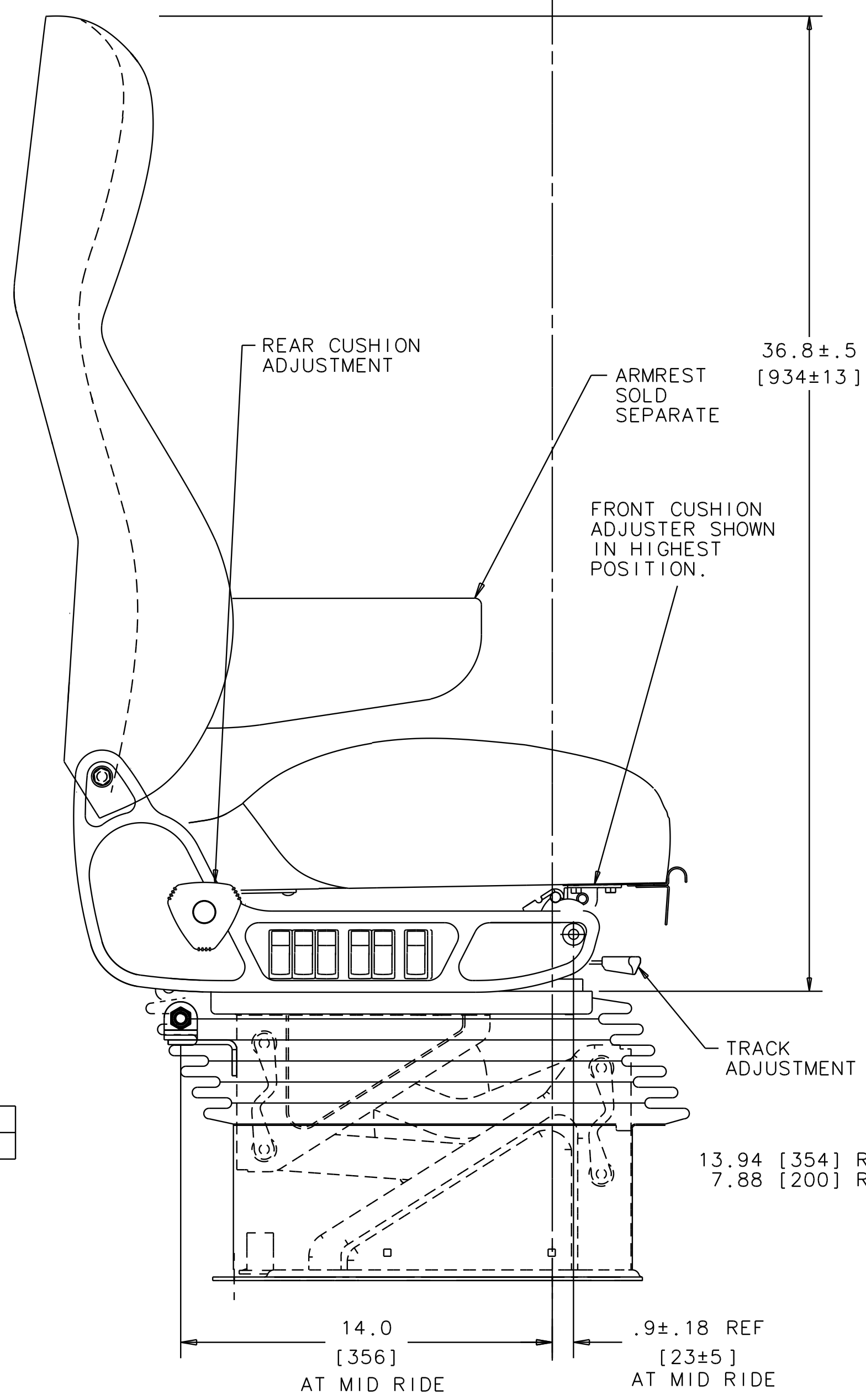
BLACK POWDER COAT FINISH TO ADHERE TO FOLLOWING SPECS.

CHARACTERISTIC	METHOD	REQUIREMENT
HUMIDITY	ASTM D 4584	ASTM D714 8 MEDIUM OR BETTER
ADHESION	ASTM D 3359 B	MIN. 4B
HARDNESS	ASTM D 3363	2 HOURS OR BETTER

SEAT WEIGHT: 85 LBS. ± 2 LBS. (W/O OPTIONS)
ARMREST: 3 LBS. ± .2 LBS.

FRONT CUSHION ADJUSTER

FCA TYPE	FWD ADJ	HGT ADJ
6 POS	2.0	1.1



TOLERANCES		REQUIRED		DO NOT SCALE		PART NO.		DESCRIPTION		ITEM
DECIMALS	FRACTIONS	SCALE	NAME	PROJECT/LIBRARY	CUSTOMERS, AFTERMARKET / OS/CALES	PART NO.	DESCRIPTION	REV.		
3x .01	1/32	1/4	T. WHITE			2195-20	AFTERMARKET NATIONAL 2000			
2x .01	1/32		CHECKED BY				"PREMIUM" RH VALVES			*
2x .01	1/32		DATE							
2x .01	1/32		10/21/04							

RELEASE 04-1338, 10-21-04, TMW
SYM CHANGE (E.C.N. - DATE - BY)